

PRODUCT DATA SHEET

MARKER SUPPORT



DESCRIPTION

Board label carriers are generally preferred products to be used inside the board. The piles of cables located inside the dashboard create confusion and confusion. Cable ties easily prevent this chaos with the help of label carriers it is passable. With this product, which is quite easy and convenient to use, the user's working efficiency can be increased by making the interior of the dashboard much more organized.

FEATURES

- Material : Polypropylene
- Operating Temperature : 0 ° C --- +90 ° C
- Color : White

MARKINGS

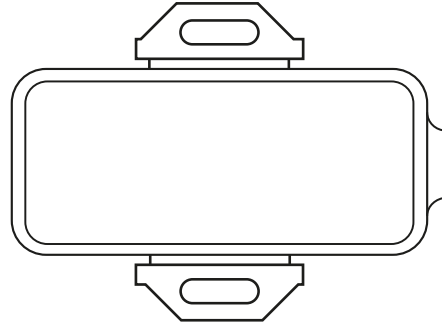


- It complies with RoHS standards.
- It complies with ISO 9001 standards.
- It complies with UL standards.
- It complies with CE standards.

PRODUCT DATA SHEET

MARKER SUPPORT

SECTIONS AND DIMENSIONS



PRODUCT CODE	COLOUR	DIMENSIONS			LABEL WIDTH (mm)	LABEL LENGTH (mm)
		A	B	C		
GET - 1	White	35	10	8	32	7
GET - 2	White	45	20	8	42	17